

shower*buddy*[®]

Local Provider: Emprise Mobility

Perth: 5 Sobek Pass | Mandurah: 14/8 Magenta Terrace

1300 761 196 | www.emprise.com.au



showerbuddy®

CONTENTS



SB1 ShowerBuddy

For transfers to standard showers

4



SB2 TubBuddy

For transfers over bathtubs

6



SB2t TubBuddy - Tilt

For transfers over bathtubs

8



SB3t Roll-InBuddy - Tilt

For roll-in showers

10



SB6c Roll-InBuddy - Lite

For roll-in showers

12



SB6c 22 Roll-InBuddy XL

For roll-in showers

14



SB6c 26 Roll-InBuddy XXL

For roll-in showers

16



SB6w Roll-InBuddy SOLO

For roll-in showers

18



SB7e ECO-Traveller

Folding shower commode

20

Paediatric & Petite Solutions

22

Accessories

26

Product Features

30

BathCheck™

35





WHY SHOWERBUDDY?

Remodeling a bathroom because of a disability can be a very expensive and disruptive process. It may not even be an option if you are renting. Now there is a solution.

Showerbuddy transfer systems fit into most existing showers or bath tubs allowing a disabled person to shower in their own bathroom again with dignity, ease and comfort. With a fraction of the cost of a remodel you can enjoy a shower the same day. Depending on the disability and the configuration of your bathroom, we can customize a unit to fit your needs.

MANUAL HANDLING

Transferring people may involve a number of manual handling tasks. Showerbuddy has undertaken numerous trials and design revisions to provide a better ergonomic design and a safer solution for caregivers while also reducing the number of transfers required for the user. Care should be taken when transferring. Undertaking a transfer produces particular difficulties such as how to grip the person and the need to counter unpredictable movements. The degree of assistance a person can provide, their ability to comply with the handling, the degree of pain experienced, or the presence of particular health conditions can also affect the way the transfer must be done. This handling will usually require a more detailed assessment. Professional advice, practices and guidelines should be sought prior to attempting a transfer.

Also refer to the Owners Manual / Safety Instructions.

INFECTION CONTROL

Showerbuddy chairs and transfer systems have been designed for efficient infection control by avoiding any build up of body fluids or wastewater by incorporating drainage pathways within the chair frame and parts.

All models are finished in a hard, smooth powder coat finish for an easy clean surface and use sealed foam cushions, neck rest parts and arm rests for easy wipe cleaning and no porosity. Seat cushions and other foam and plastic parts are easily replaced if required during refurbishment prior to reissue to a new client.

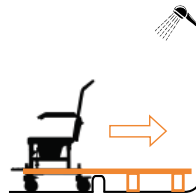
Showerbuddy products have a metal frame made of very high strength Aluminum, grade 6061 T6, which provides a long life, trouble free and non-corrosive solution with no rust or deterioration. All mechanical parts and hardware are grade 304 Stainless Steel.

Plastic parts that facilitate movement during transfer are manufactured from POM non-porous plastic and other parts in PA grade plastic for ease of cleaning the exposed parts.

SB1

SHOWERBUDDY

For transfer to a shower with tray step

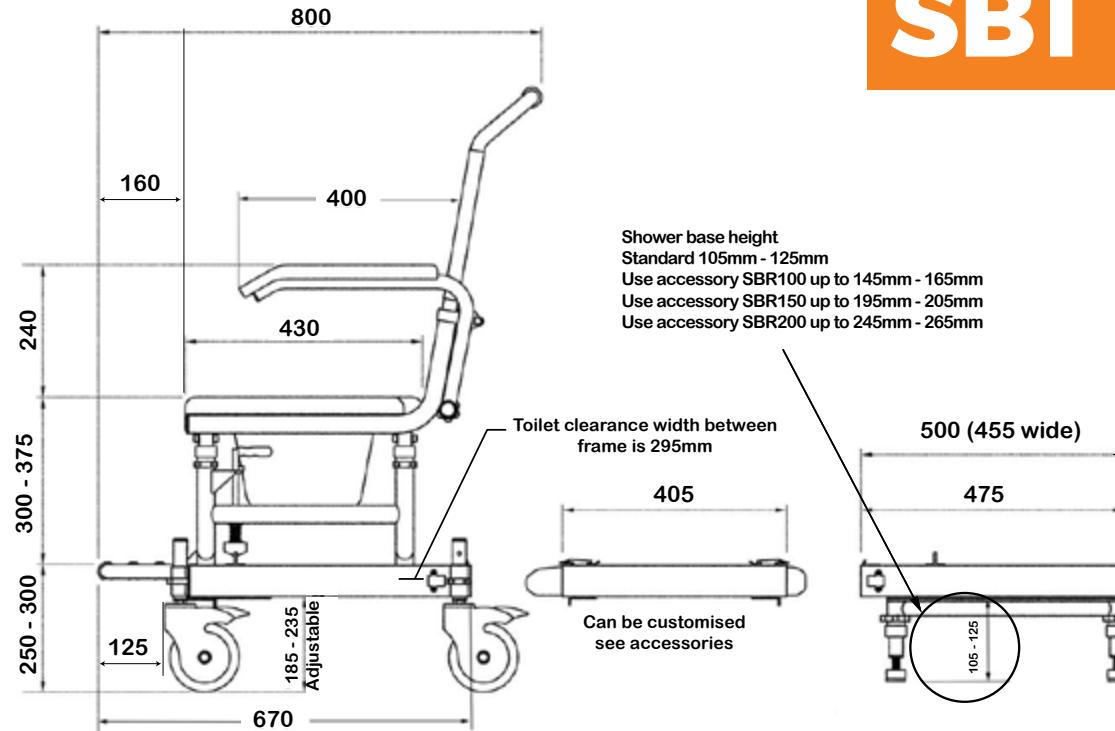
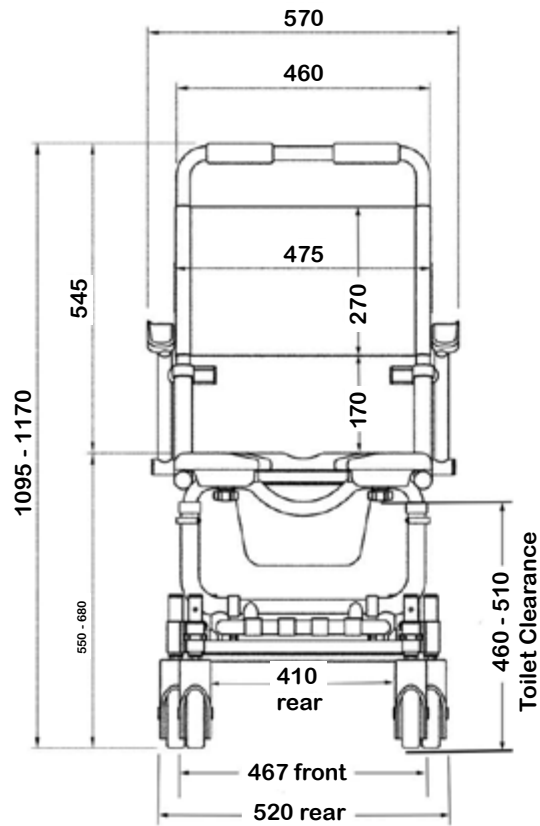


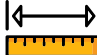
The ShowerBuddy SB1 shower transfer system will turn your existing bathroom into an accessible bathroom allowing you to enjoy showering again without the excessive cost, delays and stress of a full bathroom remodel.

If your shower has a step or upstand preventing roll-in access, our ShowerBuddy SB1 will easily slide you, in a seated position, across the step and into the shower. Once transferred into the shower the bridge and wheeled base can be disconnected and rolled away, allowing the shower door to close for a more enjoyable shower experience. This chair can be rotated when inside the shower allowing you to face the water outlet or for an assistant to help with cleaning.



SBI



 Will this fit my bathroom?
See our Calculator, BathCheck page 35

Product features:

- Weight capacity - 250kg
- Rolls over most standard toilets
- Low maintenance
- Arms - removable / lockable / flip-back
- Height adjustable
- Safety mechanisms
- No rust aluminum frame (Grade 6061 T6)
- Stainless steel parts and hardware (Grade 304)
- Rotates 360 degrees inside shower (subject to space)
- Footrest - fold-up
- Safety belts - lap & chest belts
- Caster Wheels - 125mm x 4 locking
- Commode system
- Tool-free assembly
- Full details see page 32-36

Accessory items

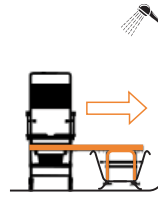
- Refer to the accessory pages or on our website



SCAN ME

SB2 TUBBUDDY

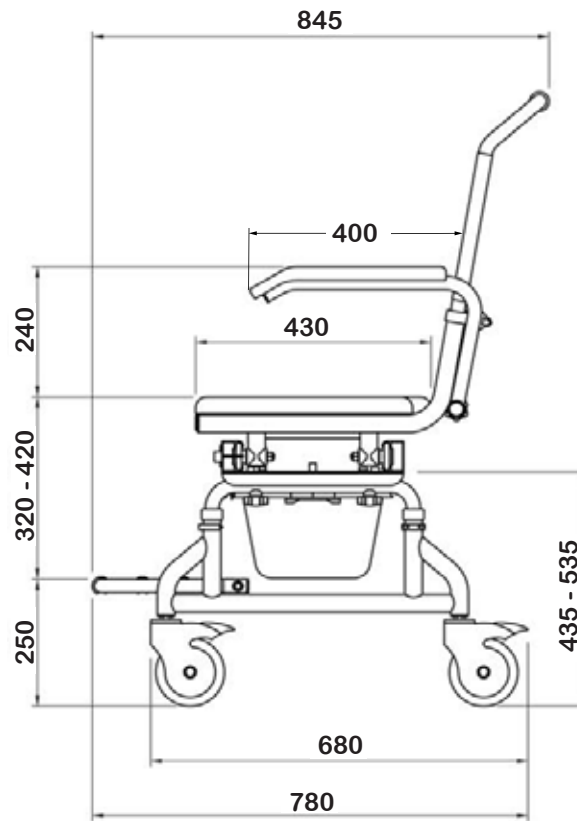
For transfer over bath tubs



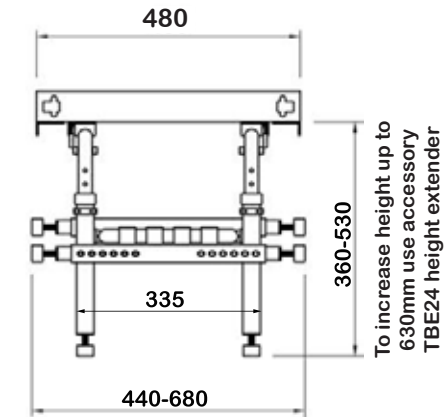
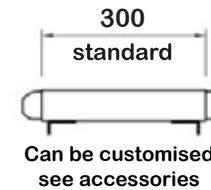
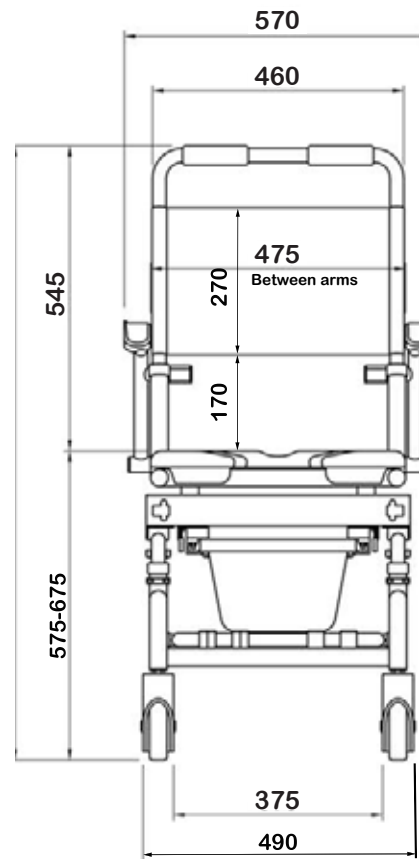
The SB2 bath transfer system from Showerbuddy is designed to allow a user to be safely transferred by a caregiver over a bathtub to shower without costly bathroom remodeling. The SB2 TubBuddy eliminates unnecessary transfers between toileting and bathing making it comfortable for both user and caregiver, while reducing costs and contributing to good user hygiene.



SB2



Toilet clearance
435 - 535
For bath tubs higher than
535mm use accessory
RBE24 height extender



Will this fit my bathroom?
See our Calculator, BathCheck page 35

Product features:

- Weight capacity - 250kg
- Rolls over most standard toilets
- Low maintenance
- Arms - removable / lockable / flip-back
- Height adjustable
- Safety mechanisms & side stabilizers on bath base
- No rust aluminum frame (Grade 6061 T6)
- Stainless steel parts and hardware (Grade 304)
- Footrest - fold-up foot rest on rolling base and on bath base
- Safety belts - lap & chest belts
- Caster Wheels - 125mm x 4 locking
- Commode system
- Tool-free assembly
- Full details see page 32-36

Accessory items

- Refer to the accessory pages or on our website

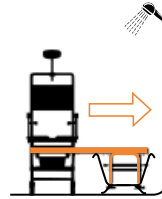


SCAN ME

SB2t

TUBBUDDY - TILT

For transfer over bath tubs



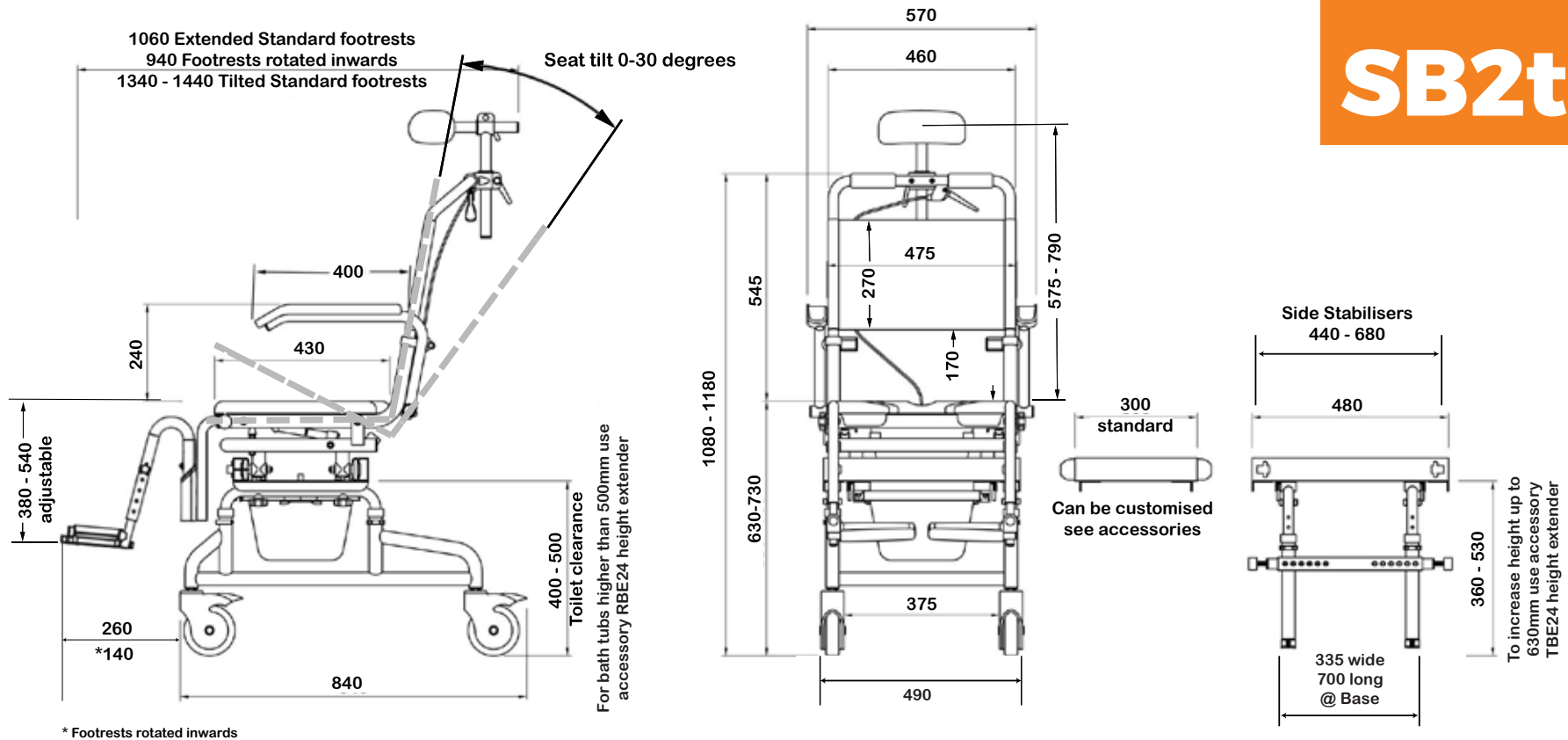
The SB2T bath transfer system from Showerbuddy is also designed to allow a user to be safely transferred by a caregiver over the bathtub, but with the addition of a tilt. The SB2T offers a significant reduction in costs, no need for costly bathroom remodeling.

While eliminating unnecessary transfers, the SB2T with a tilt function allows for pressure relief and alleviates caregiver strain by allowing the user to slide over the bathtub without having to lift their legs.

The SB2T TubBuddy Tilt can roll straight over most toilets and can also be used as a commode chair.



SB2t



* Footrests rotated inwards

Product features:

- Weight capacity - 250kg
- Tilt angle 0 - 30 degrees, infinite positioning
- Rolls over most standard toilets
- Low maintenance
- Arms - removable / lockable / flip-back
- Height adjustable
- Safety mechanisms & side stabilizers on bath base
- Footrests - removable and swing-away
- No rust aluminum frame (Grade 6061 T6)
- Stainless steel parts and hardware (Grade 304)
- Safety belts - lap & chest belts plus calf strap
- Caster Wheels - 125mm x 4 locking
- Commode system
- Neck rest, fully adjustable
- Tool-free assembly
- Full details see page 32-36

Accessory items

- Refer to the accessory pages or on our website



SCAN ME

SB3t

ROLL-INBUDDY - TILT

For roll in showers



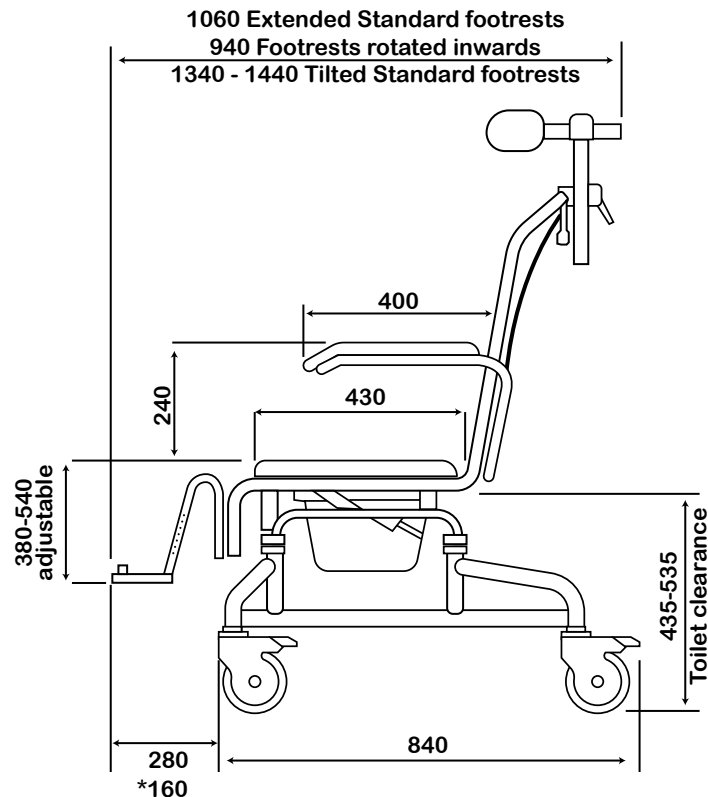
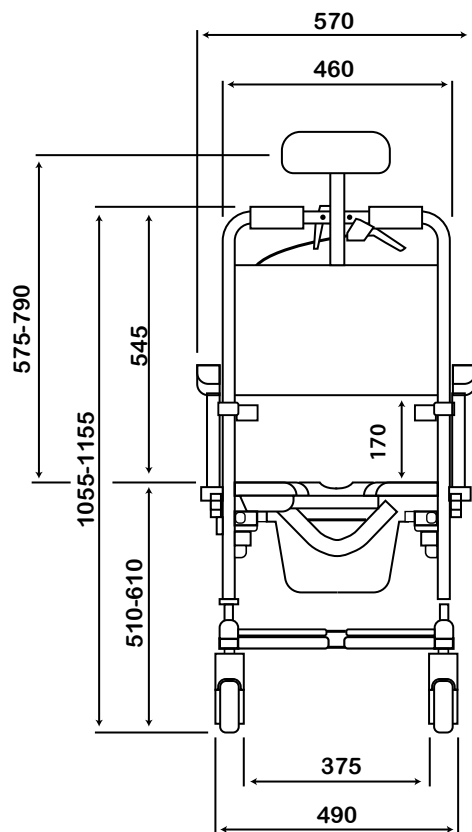
The SB3t mobile shower chair from Showerbuddy is perfect for accessible or roll-in showers. It can roll straight over most toilets and into the shower, reducing manual handling and transfers for caregivers and can also be used as a commode chair.

The tilt function releases pressure for the user and improves comfort and well-being. The SB3t shower chair with tilt incorporates the same safety features and corrosion-resistant materials standard to all Showerbuddy products.

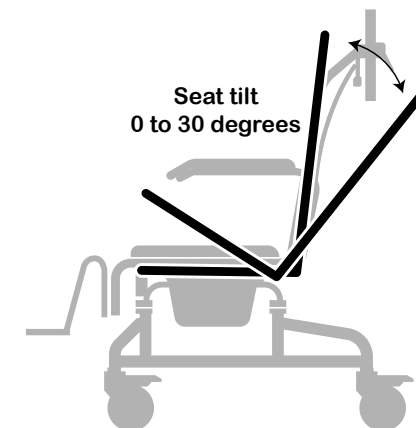
The SB3t Roll-InBuddy Tilt is lightweight, durable and easy to use with a lifetime warranty on the frame.



SB3t



*Footrest rotated inwards



Product features:

- Weight capacity - 250kg
- Tilt angle 0 - 30 degrees, infinite positioning
- Rolls over most standard toilets
- Low maintenance
- Arms - removable / lockable / flip-back
- Height adjustable
- Safety mechanisms
- Footrests - removable and swing away, height adjustable
- No rust aluminum frame (Grade 6061 T6)
- Stainless steel parts and hardware (Grade 304)
- Safety belts - lap & chest belts plus calf strap
- Caster Wheels - 125mm x 4 locking
- Commode system
- Neck rest, fully adjustable
- Tool-free assembly
- Full details see page 32-36

Accessory items

- Refer to the accessory pages or on our website



SCAN ME

SB6c

ROLL-INBUDDY-LITE

For roll-in showers



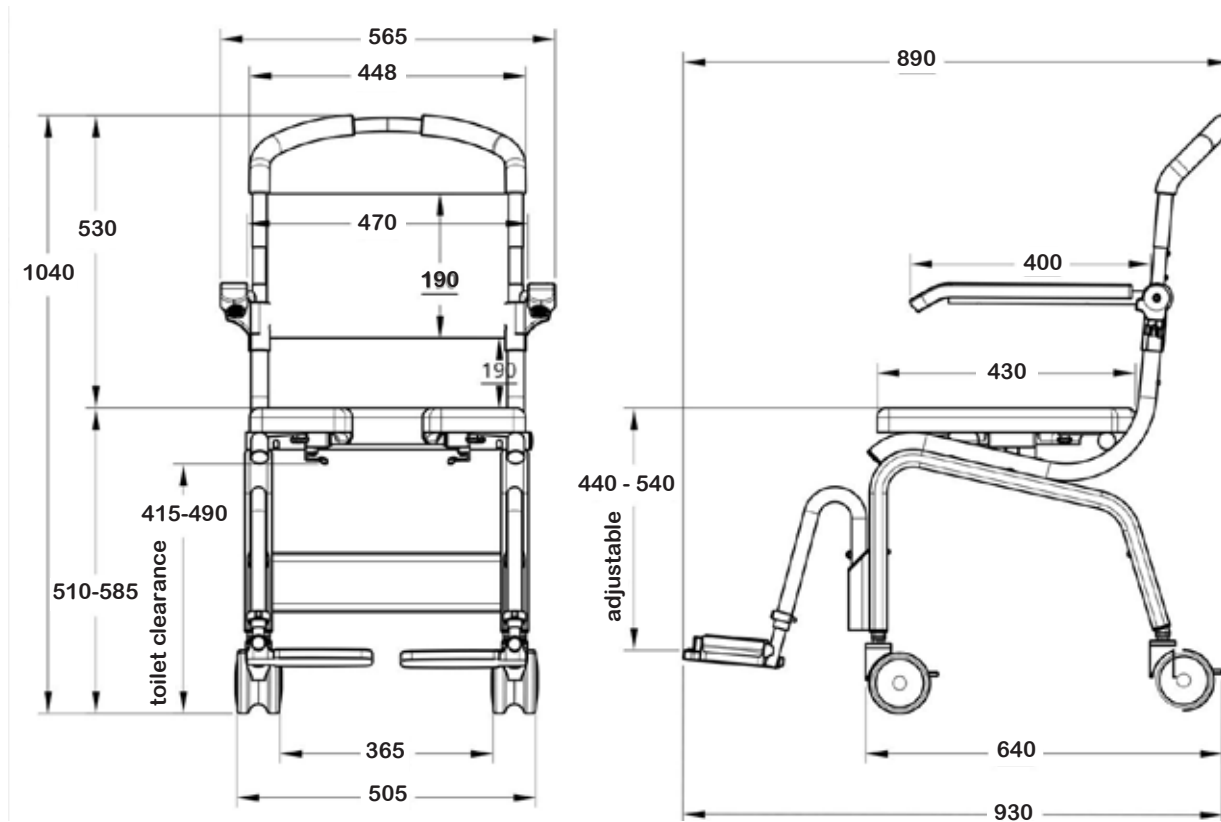
The SB6c mobile shower chair from Showerbuddy is designed for accessible or roll-in showers. It can roll straight over most toilets and into the shower, reducing manual handling and transfers for caregivers. The SB6c has a 450mm wide foam seat cushion and can also be used as a commode chair.

The SB6c shower chair comes with 4 locking high quality caster wheels, a commode system and numerous accessories to choose from.

The SB6c Roll-InBuddy Lite is lightweight, durable and has a lifetime warranty on the frame.



SB6c



Product features:

- Weight capacity - 136kg
- Rolls over most standard toilets
- Low maintenance
- Arms - lockable / flip-back
- Height adjustable
- Footrests - removable and swing-away, height adjustable
- No rust aluminum frame (Grade 6061 T6)
- Stainless steel parts and hardware (Grade 304)
- Safety belts - lap or chest belts plus calf strap
- Caster Wheels - 100mm all locking
- Commode system with deflector splash guard
- Tool-free assembly
- Full details see page 32-36

Accessory items

- Refer to the accessory pages or on our website



SCAN ME

SB6c 22

ROLL-INBUDDY XL

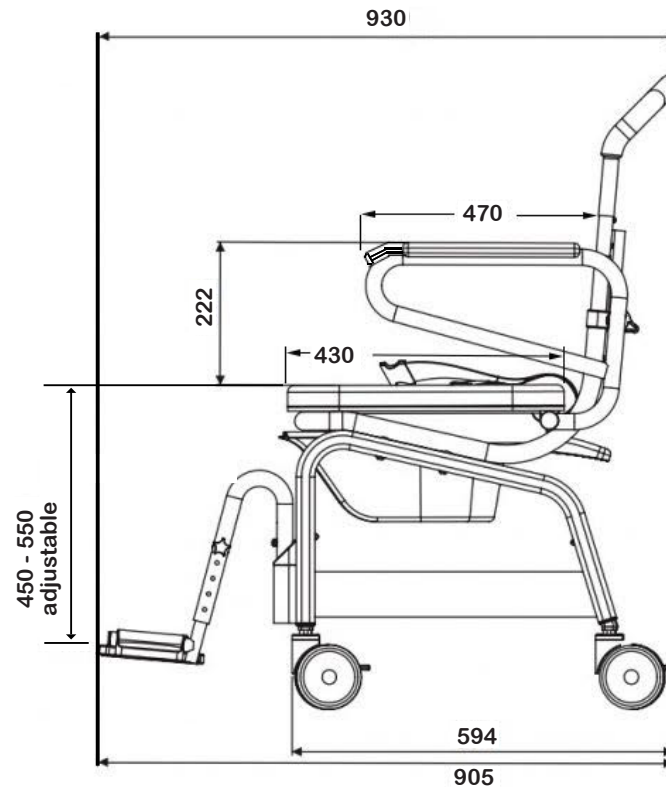
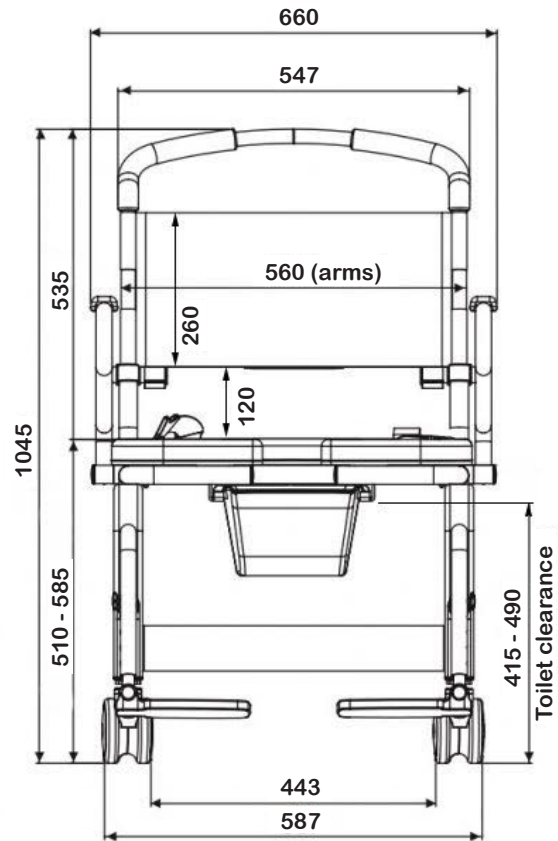
For roll-in showers



The SB6c-22 mobile shower chair from Showerbuddy is designed for accessible or roll-in showers for larger users needing attendant care. It can roll straight over the toilet and into the shower, reducing manual handling and transfers for the user and caregivers. The SB6c-22 has a 560mm wide seat cushion and can also be used as a commode chair. The SB6c-22 Roll-InBuddy XL is lightweight, durable and strong with a lifetime warranty on the frame.



SB6c 22



Product features:

- Weight capacity - 200kg
- Rolls over toilets
- Low maintenance
- Arms - removable / lockable / flip-back
- Height adjustable
- Footrests - removable and swing-away, height adjustable
- No rust aluminum frame (Grade 6061 T6)
- Stainless steel parts and hardware (Grade 304)
- Safety belts - lap or chest belts
- Caster Wheels - 100mm all locking
- Commode system
- Tool-free assembly
- Full details see page 32-36

Accessory items

- Refer to the accessory pages or on our website



SCAN ME

SB6c 26

ROLL-INBUDDY XXL

For roll-in showers



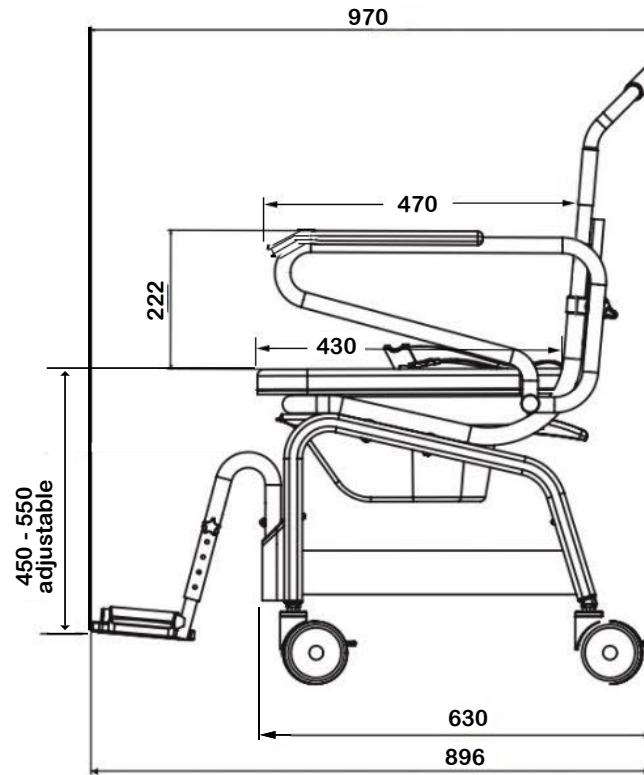
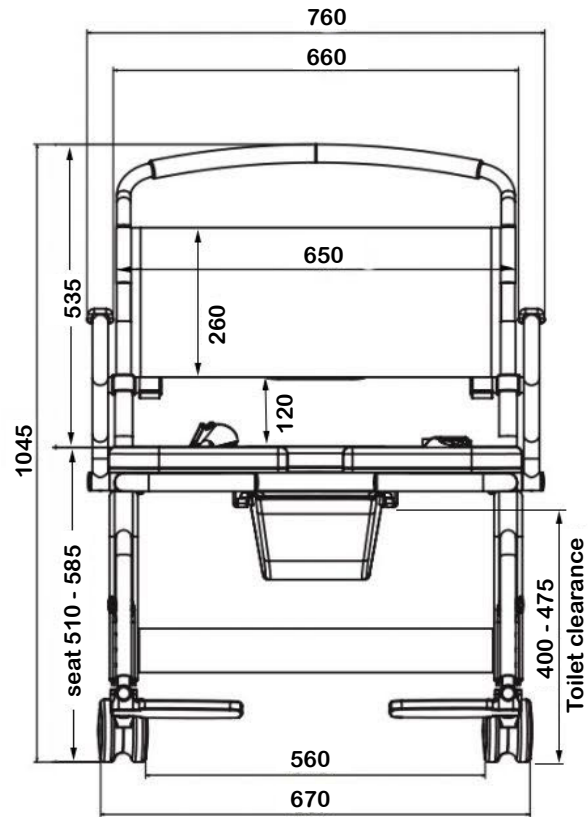
The SB6c-26 mobile shower chair from Showerbuddy is designed for accessible or roll-in showers for larger users needing a wider seat and attendant care. It can roll straight over the toilet and into the shower, reducing manual handling and transfers for the user and caregivers.

The SB6c-26 has a 660mm wide seat cushion and can also be used as a commode chair.

The SB6c-26 Roll-InBuddy XXL is lightweight, durable and strong with a lifetime warranty on the frame.



SB6c 26



Product features:

- Weight capacity - 200kg
- Rolls over toilets
- Low maintenance
- Arms - removable / lockable / flip-back
- Height adjustable
- Footrests - removable and swing-away, height adjustable
- No rust aluminum frame (Grade 6061 T6)
- Stainless steel parts and hardware (Grade 304)
- Safety belts - lap or chest belts
- Caster Wheels - 100mm all locking
- Commode system
- Tool-free assembly
- Full details see page 32-36

Accessory items

- Refer to the accessory pages or on our website



SCAN ME

SB6w

ROLL-INBUDDY SOLO

For roll-in showers



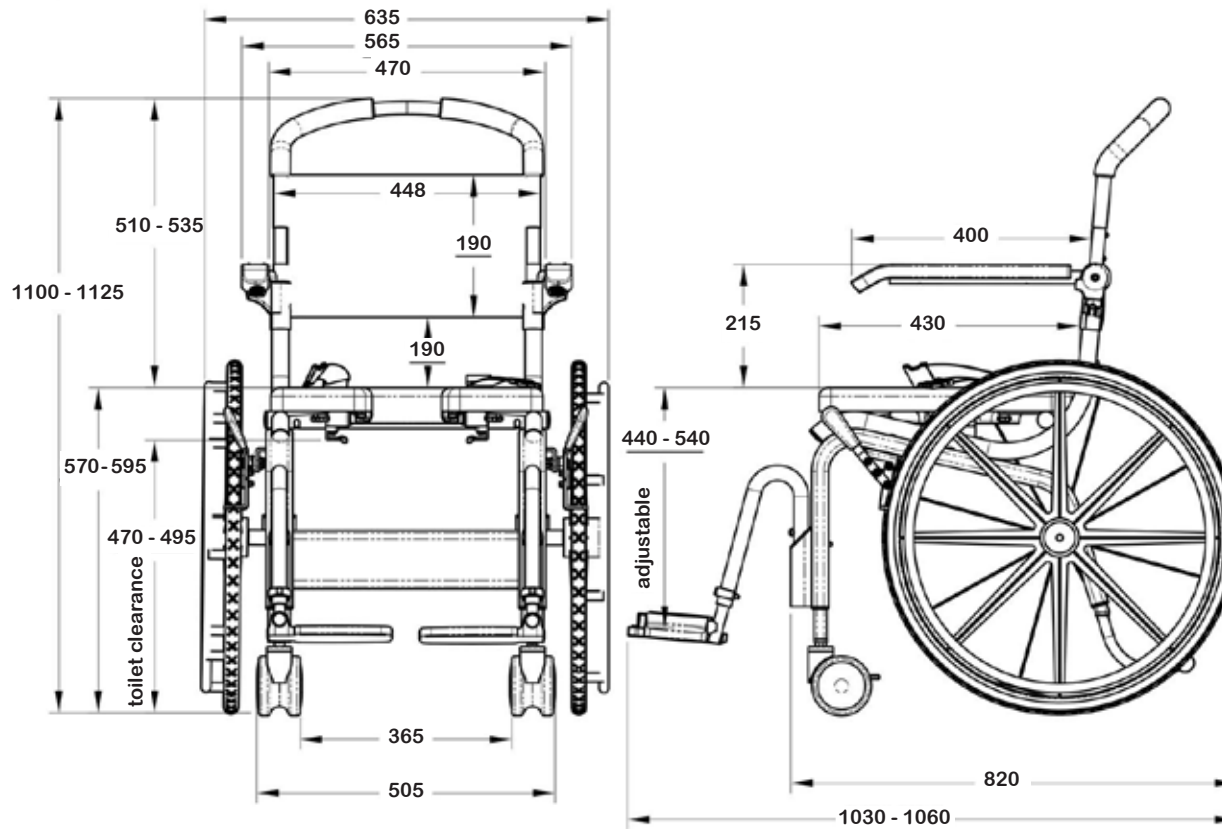
The SB6w mobile shower chair from Showerbuddy is designed for accessible or roll-in showers and for users who can self-propel. It can roll straight over most toilets and into the shower, reducing transfers for the user. The SB6w has a 450mm wide soft foam seat cushion that is height adjustable and can also be used as a commode chair.

The SB6w shower chair comes with 2 x 24" wheels with hand rims and 2 x locking high quality caster wheels, a commode system and numerous accessories to choose from.

The SB6w Roll-InBuddy Solo is lightweight, durable and has a lifetime warranty on the frame.



SB6w



Product features:

- Weight capacity - 136kg
- Rolls over most standard toilets
- Low maintenance
- Arms - Lockable / flip-back
- Height adjustable
- Footrests - removable and swing-away, height adjustable
- No rust aluminum frame (Grade 6061 T6)
- Stainless steel parts and hardware (Grade 304)
- Safety belts - lap or chest belts plus calf strap
- Caster Wheels - 100mm all locking
- Commode system with deflector splash guard
- Soft blow-mold cushion
- Tool-free assembly
- Full details see page 32-36

Accessory items

- Refer to the accessory pages or on our website



SCAN ME

SB7e

Eco-traveller

Folding shower commode



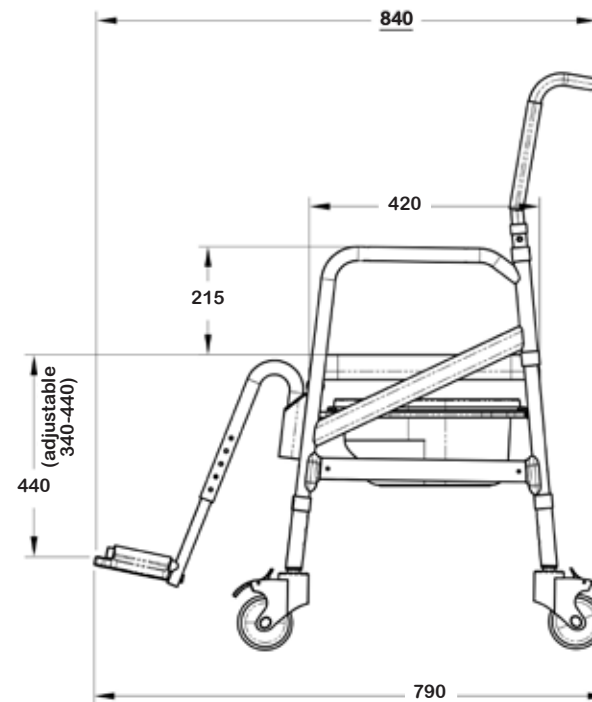
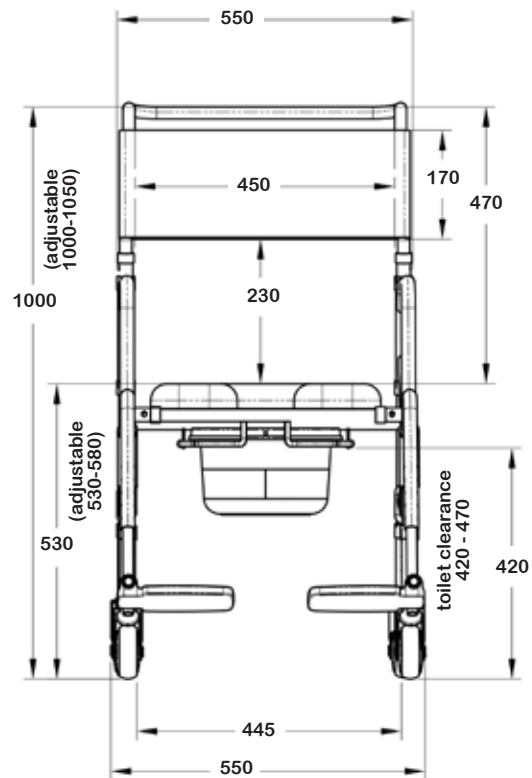
The SB7e travel shower commode chair is a lightweight economical chair designed for accessible or roll-in showers where space is at a premium. It can roll straight over most toilets and into the shower, reducing manual handling and transfers for caregivers.

The SB7e is fully height adjustable, has a soft foam cushion and can also be used as a commode chair, with commode bucket removed from the rear. It has 4 lockable caster wheels and flip up, fold away and height adjustable footrests, has tool-free assembly and quickly folds down to pack away into an accessory carry bag for travel.

The SB7e Eco traveller has a 2-year limited warranty.



SB7e



Product features:

- Weight capacity - 120kg
- Rolls over most standard toilets
- Arms - Fixed
- Height - Adjustable
- Footrests - Removable and swing away, height adjustable
- No rust aluminum frame (Grade 6061 T6)
- Stainless steel parts and hardware (Grade 304)
- Caster Wheels - 100mm 4 x locking
- Commode system
- Tool free assembly and easy fold down
- Full details see page 32-36

Accessory items

- Refer to the accessory pages or on our website



SCAN ME

Paediatric & Petite Solutions

P1

PETITE BUDDY

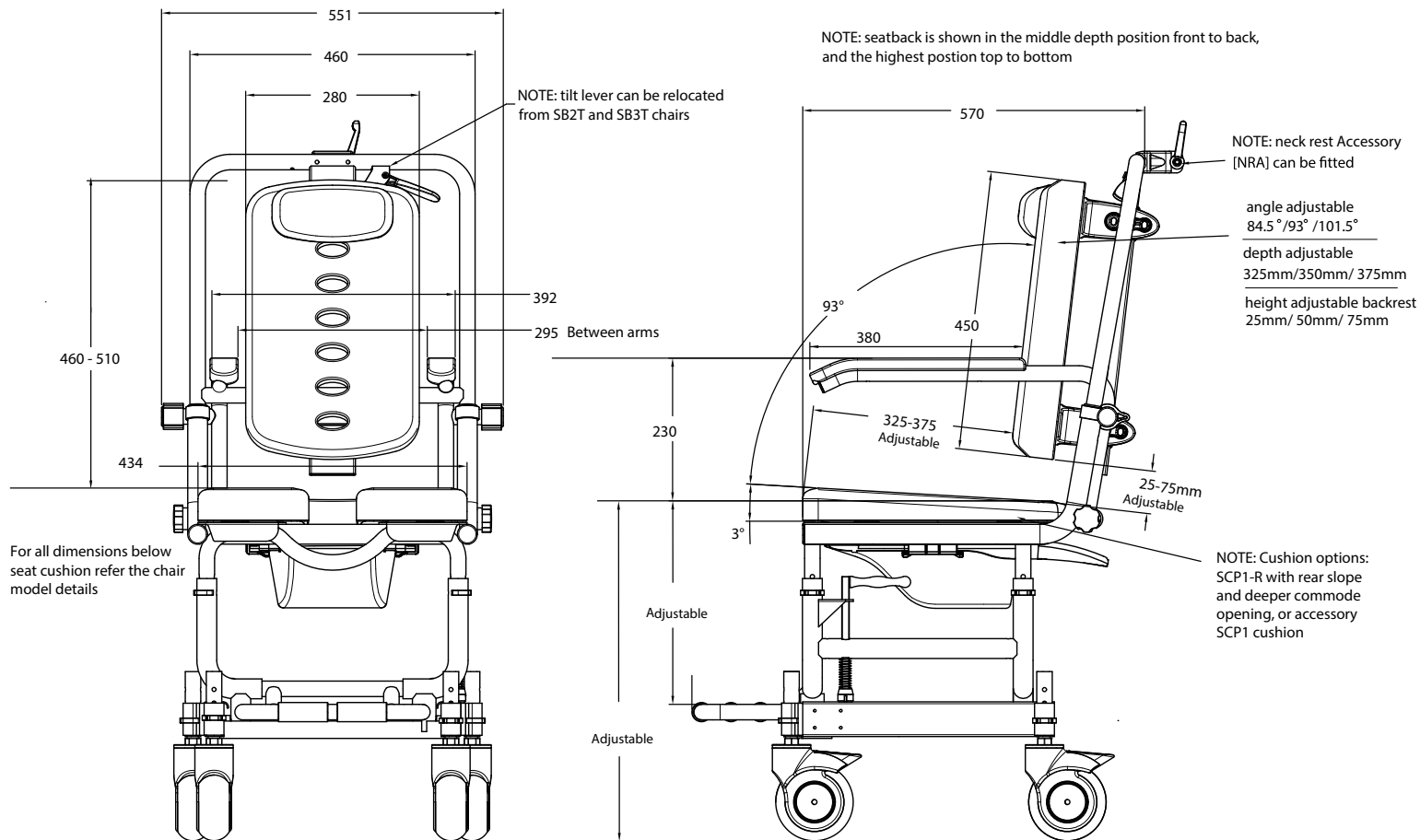
Converts Chairs to Petite size for smaller users

Petite-Buddy P1 allows your standard Showerbuddy chair to be sized to suit a smaller user yet retain the ability to grow with the user saving on expensive chair upgrade costs over time. With a padded backrest cushion (280mm wide) that adjusts for seat depth (325mm to 375mm) and limited recline, reduced width between armrests (295mm), smaller commode opening cushion (150mm) and adjustable padded neck pillow, the P1 offers a solution for smaller users needing to transfer.

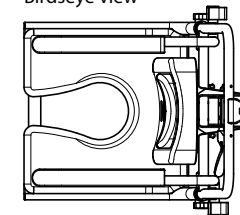
Suitable for

✓SB1 ✓SB2 ✓SB2t ✓SB3t

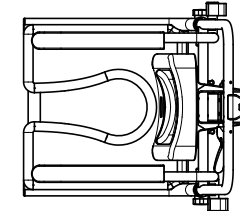




Birdseye view



SCP1 Accessory Cushion



SCP1-R Standard Issue Cushion

Petite Buddy P1 shown fitted on SB1 chair base

Suitable for

✓SB1 ✓SB2 ✓SB2t ✓SB3t

Paediatric & Petite Solutions

P2

PETITE BUDDY

Converts Chairs to Petite use or for smaller users

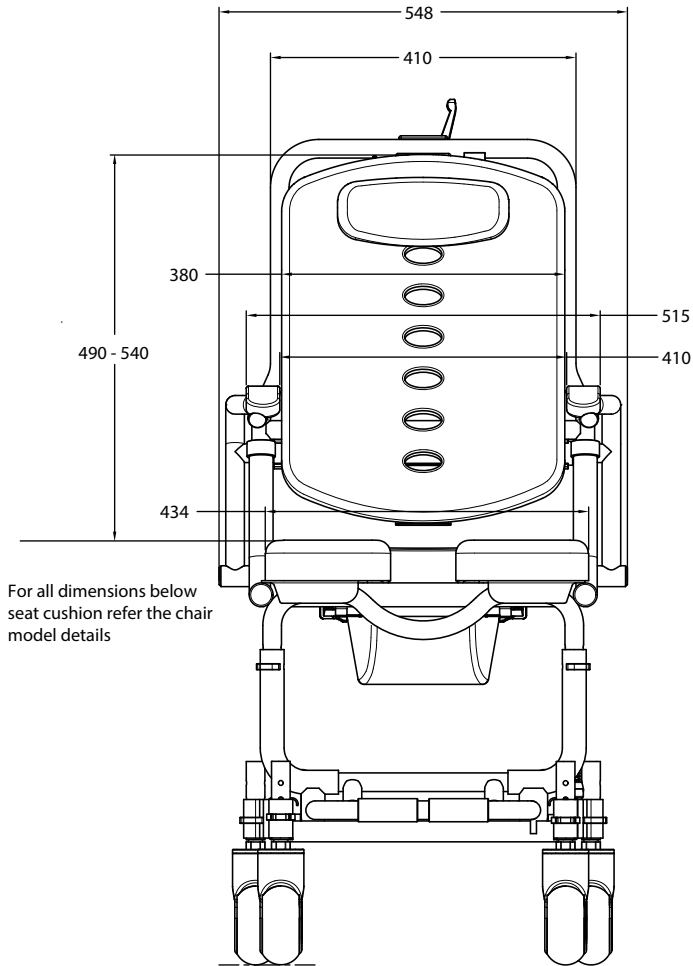
Petite-Buddy P2 allows your standard Showerbuddy chair to be sized to suit a smaller user yet retain the ability to grow with the user saving on expensive chair upgrade costs over time. With a padded backrest cushion (380mm wide) that adjusts for seat depth (325mm to 375mm) and limited recline, reduced width between armrests (420mm), smaller commode opening cushion (170mm) and adjustable padded neck pillow, the P2 offers a solution for smaller users needing to transfer.

Suitable for

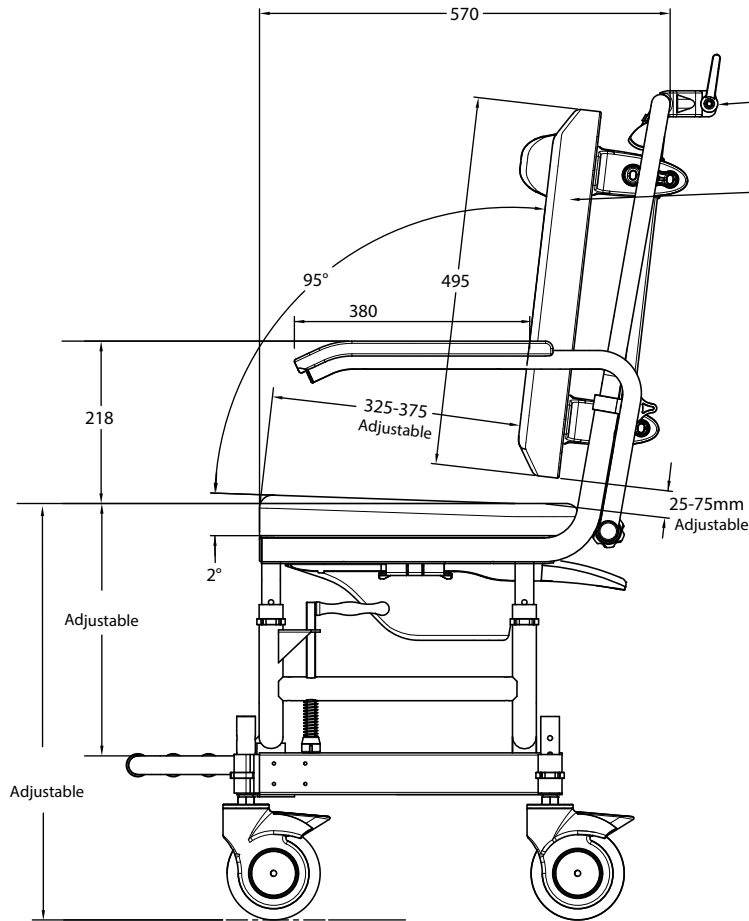
✓SB1 ✓SB2 ✓SB2t ✓SB3t



P2



For all dimensions below seat cushion refer the chair model details



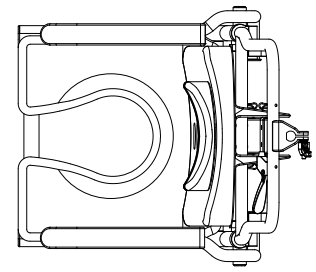
NOTE: neck rest Accessory [NRA] can be fitted

angle adjustable
84.5° / 93° / 101.5°

depth adjustable
325mm/350mm/ 375mm

height adjustable backrest
25mm/ 50mm/75mm

Birdseye view















Petite Buddy P2 shown fitted on SB1 chair base

Suitable for

- ✓SB1
- ✓SB2
- ✓SB2t
- ✓SB3t








Accessories

PROBLEM	ACCESSORY	ORDER CODE	IMAGE											DESCRIPTION	
				SB1	SB2	SB2t	SB3t	SB6c	SB6w	SB6c 22	SB6c 26	SB7e			
If the connecting bridge was longer or shorter it would better suit my bathroom	Custom size Bridge	CB		✓	✓	✓									With transfer chairs sometimes the length of the bridge, connecting the mobile wheeled base to the bath or shower base unit, needs to be modified to suit the particular bathroom design or available space. Standard bridges can be shortened or lengthened up to 1.2m. Please contact your local dealer /distributor for more information. Includes: Modifying the length of bridge supplied with the chair by extending or shortening to suit the particular room configuration
If the standard connecting bridge was shorter it would better suit my bathroom	Shorter bridge for SB1	BR-20-SB1		✓											A standard Bridge but shortened to 200mm for SB1 use where space is at a premium
	Shorter bridge for SB1	BR-30-SB1		✓											A standard Bridge but shortened to 300mm for SB1 use where space is at a premium
	Shorter bridge for SB2/2t	BR-20-SB2			✓	✓									A standard Bridge but shortened to 200mm for SB2 and SB2T use where space is at a premium
My chair does not have a neck rest and I would like to fit one.	Neck Rest Assembly	NRA		✓	✓										Sometimes a user may require a neck rest on a non-tilting transfer chair. Showerbuddy models SB1 and SB2 include provision for this and an accessory neck rest can easily be fitted after purchase. Neck rests are adjustable in height and forward / backward to suit most users.
My shower base is lower than or at the same level as the bathroom floor and I cannot set up my unit correctly.	Shower Base Risers	SBR100 SBR150 SBR200		✓ ✓ ✓											When the base, or floor of the shower is sitting lower than or level with the bathroom floor it may not be possible to align the rolling base (chair) with the shower base unit to connect the bridge. In these instances you will need to extend the height of the shower base unit by using the accessory SBR. This accessory is a set of longer tubular leg parts that replace the existing legs located in the Shower Base unit allowing the height adjustment to be increased - SBR100 by 35mm - SBR150 by 85mm - SBR200 by 135mm










PROBLEM	ACCESSORY	ORDER CODE	IMAGE											DESCRIPTION	
				SB1	SB2	SB2t	SB3t	SB6c	SB6w	SB6c 22	SB6c 26	SB7e			
My bath tub is higher than normal and I cannot set up my unit correctly	Rolling Base Height Extender	RBE24			✓	✓									When the bath tub is higher than 530mm above the bathroom floor you will need to extend the height of the chair by swapping out existing height adjustment tubes with longer accessory RBE24 tubes.
My bath tub is lower than normal and I cannot set up my unit correctly	Tub Base Height Extender	TBE24			✓	✓									If the bath tub is deeper than 530mm and not deeper than 635mm you will need to extend the height of the bath base unit by swapping out existing height adjustment tubes with longer accessory TBE24 tubes. If the bath tub is deeper than 630mm the solution will not work.
I would like to use my chair for other than a commode	Seat Cushion Overlay	SCO		✓	✓	✓	✓								The SCO overlay is a full sized PU Foam cushion overlay that closes off the commode opening allowing the chair to be used as a transport chair.
I would like to use my SB6 chair for other than a commode	Seat Cushion Overlay for SB6 chair only	SCOC						✓	✓						To close the commode function and use the chair as a transport chair if required. Fits Shower-buddy chair SB6c and SB6w only.
I would like a smaller commode opening in the cushion	Cushion with 150mm commode opening	SCP1		✓	✓	✓	✓								An open front cushion with a smaller commode opening for smaller users. This cushion is also thicker than standard cushions. Commode opening dimensions: Opening width at front 76mm, centre of opening from front 203mm, commode opening width 150mm. NOTE: Users requiring this cushion accessory may also benefit from the Showerbuddy accessory A-P1 that reduces the dimension between armrests or the P1 Petite Converter accessory.
I would like a commode opening further towards the back of the cushion and more slope on the cushion	Seat Cushion with Smallest Extended Opening	SCP1-R		✓	✓	✓	✓								An open front cushion for our smallest users. This cushion is thicker than standard cushions. Opening width at front 76mm, centre of hole from front 150mm, hole width 150mm. May be used in conjunction with arms A-P1 or A-P2 to reduce width between arms, although they may not fold back and works with Petite Accessory P2 (comes std on P1)

Accessories

PROBLEM	ACCESSORY	ORDER CODE	IMAGE												DESCRIPTION
				SB1	SB2	SB2t	SB3t	SB6c	SB6w	SB6c 22	SB6c 26	SB7e			
I would like a smaller commode opening in the cushion	Cushion with 170mm commode opening	SCP2		✓	✓	✓	✓								An open front cushion with a smaller commode opening for smaller users. This cushion is also thicker than standard cushions. Commode opening dimensions: Opening width at front 89mm, centre of opening from front 203mm, commode opening width 170mm. NOTE: Users requiring this cushion accessory may also benefit from the Showerbuddy accessory A-P2 that reduces the dimension between armrests or P2 Petite Converter accessory
I need a closed front cushion	Seat Cushion Closed Front	SCCF 1-3		✓	✓	✓	✓								A closed front commode cushion that fits the SB1 / SB2 / SB2T / SB3T chairs only
I want a soft cushion for SB1 - SB2 - SB3 eries	Soft Foam Cushion	SCSF		✓	✓	✓	✓								This accessory cushion has a plywood base inside the structure, with 10mm PE foam then 25mm soft foam on top, all encapsulated in a heat sealed 0.4mm vinyl cover. The cushion has locating lugs fitted to the underside to allow it to press fit to SB1, SB2, SB2T and SB3T chairs.
I need a right hand opening cushion	Seat Cushion right hand opening	SCRO							✓	✓					A Right Hand side opening commode cushion.
I need a left hand opening cushion	Seat Cushion left hand opening	SCLO							✓	✓					A Left Hand side opening commode cushion.
Can I reduce the dimension between the armrests	Armrests to reduce seat width	A-P1		✓	✓	✓	✓								This accessory changes the dimension between standard armrests from 475mm to 295mm by removing the standard adult chair armrests and fitting this accessory. NOTE: These A-P1 armrests are removable but CANNOT fold away









PROBLEM	ACCESSORY	ORDER CODE	IMAGE											DESCRIPTION	
				SB1	SB2	SB2t	SB3t	SB6c	SB6w	SB6c 22	SB6c 26	SB7e			
Can I reduce the dimension between the armrests	Armrests to reduce seat width	A-P2		✓	✓	✓	✓								This accessory changes the dimension between standard armrests from 475mm to 410mm by removing the standard adult chair armrests and fitting this accessory. NOTE: These A-P2 armrests are removable but CANNOT fold away.
My shower base needs suction cup feet to stop the base moving	Suction Cup Feet	Part #49		✓	✓	✓									Suction cup feet can be used in the SB1 Showerbuddy to prevent movement of the shower base unit on the floor, or in the bath base unit of SB2 and SB2T. Note - if floor is not smooth use plastic discs, Part #SD
My chair comes with one set of lap / waist belts and I need another set	Safety Restraints	500-270						✓	✓	✓	✓				SB6 series chairs come with one safety restraint. This set comes ex factory fitted as a chest belt but can easily be relocated to a waist setting. An additional set can fitted as an accessory to give both chest and waist for these models.
I would like an adjustable fabric back rest	Tensioned Backrest	TBR		✓	✓	✓	✓	✓	✓						The tensioned backrest has 3 separate adjustment points to suit most users' posture and comfort. The fabric is a fast drying comfortable mesh fabric.
I would like an adjustable fabric back rest	Tensioned Backrest	TBR22								✓					The tensioned backrest has 3 separate adjustment points to suit most users' posture and comfort. The fabric is a fast drying comfortable mesh fabric.
		TBR26									✓				
I need to reduce the seat depth of my chair of my chair	Padded Foam Backrest Cushion	PBC		✓*	✓*	✓*	✓*	✓	✓						For users requiring a padded backrest cushion. This cushion provides comfort and reduces the seat depth. Requires screw fixing to pre-drilled fixing locations in the chair push handle uprights, with all parts supplied. Height adjustable. *Chairs pre 2021 require fixing holes to be drilled in order to fit this accessory.
My push handle touches the shower walls when I rotate the chair - Do you have a straight handle	Straight Backrest - Push Handle	SPH		✓	✓	✓	✓								This backrest frame / push handle has been straightened out and has no bend at the top towards the attendant so allowing more space within a shower enclosure. Reduces unit length dimensions by 70mm.

Product Features

									
Model Name	Showerbuddy	TubBuddy	TubBuddy Tilt	Roll-InBuddy Tilt	Roll-InBuddy Lite	Roll-InBuddy XL	Roll-InBuddy XXL	Roll-InBuddy Solo	Eco-traveller
Model Number	SB1	SB2	SB2t	SB3t	SB6c	SB6-22	SB6-26	SB6w	SB7e
Suited to this type of bathroom	Shower with threshold	Shower over bathtub	Shower over bathtub	Roll In accessible shower	Roll In accessible shower	Roll In accessible shower	Roll In accessible shower	Roll In accessible shower	Roll In accessible shower
For user requiring an assistant	✓	✓	✓	✓	✓	✓	✓		✓
For user who can self-propel								✓	
For transfers to standard showers (with tray or step)	✓								
For transfers over bath tub (to shower)		✓	✓						
For transfers to roll-in accessible showers				✓	✓	✓	✓	✓	✓
For commode chair use	✓	✓	✓	✓	✓	✓	✓	✓	✓
Roll In chair comes with bath base or shower base unit	✓	✓	✓						
Roll In chair only, no sliding transfer system				✓	✓	✓	✓	✓	✓










									
Model Name	Showerbuddy	TubBuddy	TubBuddy Tilt	Roll-InBuddy Tilt	Roll-InBuddy Lite	Roll-InBuddy XL	Roll-InBuddy XXL	Roll-InBuddy Solo	Eco-traveller
Model Number	SB1	SB2	SB2T	SB3T	SB6C	SB6-22	SB6-26	SB6W	SB7e
Suited to This Bathroom Type	Shower with threshold	Shower over bathtub	Shower over bathtub	Roll In accessible shower	Roll In accessible shower	Roll In accessible shower	Roll In accessible shower	Roll In accessible shower	Roll In accessible shower
Weight Limit 200kg						✓	✓		
Weight Limit 250kg	✓	✓	✓	✓					
Weight Limit 136kg					✓			✓	
Weight Limit 120kg									✓
Rolls Over the Toilet	✓	✓	✓	✓	✓	✓	✓	✓	✓
Frame - Low Maintenance / No Rust	✓	✓	✓	✓	✓	✓	✓	✓	✓
Frame - Aluminium with Stainless Steel Parts	✓	✓	✓	✓	✓	✓	✓	✓	✓
Tilt Function 0 - 30° with Infinite Positioning			✓	✓					
Neck Rest - Fully Adjustable			✓	✓					

Product Features

									
Model Name	Showerbuddy	TubBuddy	TubBuddy Tilt	Roll-InBuddy Tilt	Roll-InBuddy Lite	Roll-InBuddy XL	Roll-InBuddy XXL	Roll-InBuddy Solo	Eco-traveller
Model Number	SB1	SB2	SB2T	SB3T	SB6C	SB6-22	SB6-26	SB6W	SB7e
Suited to This Bathroom Type	Shower with threshold	Shower over bathtub	Shower over bathtub	Roll In accessible shower	Roll In accessible shower	Roll In accessible shower	Roll In accessible shower	Roll In accessible shower	Roll In accessible shower
Arms - Foldaway / Lockable	✓	✓	✓	✓	✓	✓	✓	✓	
Arms - Fixed - Do Not Fold Away									✓
Armrests - 400mm Long PU Foam	✓	✓	✓	✓	✓	✓	✓	✓	
Armrests - 230mm Long Plastic									✓
Seat Cushion Height Adjustable	✓	✓	✓	✓	✓	✓	✓	✓	✓
Seat Cushion - PU Foam	✓	✓	✓	✓					
Seat Cushion - Soft Blow-moulded Foam, Heat Sealed Joints					✓	✓	✓	✓	✓
Footrests - Height Adjustable	✓	✓	✓	✓	✓	✓	✓	✓	✓

									
Model Name	Showerbuddy	TubBuddy	TubBuddy Tilt	Roll-InBuddy Tilt	Roll-InBuddy Lite	Roll-InBuddy XL	Roll-InBuddy XXL	Roll-InBuddy Solo	Eco-traveller
Model Number	SB1	SB2	SB2T	SB3T	SB6C	SB6-22	SB6-26	SB6W	SB7e
Suited to This Bathroom Type	Shower with threshold	Shower over bathtub	Shower over bathtub	Roll In accessible shower	Roll In accessible shower	Roll In accessible shower	Roll In accessible shower	Roll In accessible shower	Roll In accessible shower
Footrests - Removable and Swing-away	✓	✓	✓	✓	✓	✓	✓	✓	✓
Footrests / Flip Up	✓	✓	✓	✓	✓	✓	✓	✓	✓
Lap or Chest Belts (can be fitted to suit user - 1 set only)					✓	✓	✓	✓	
Lap and Chest Belts come as standard	✓	✓	✓	✓					
Lap or Chest Belts - Not Supplied									✓
Caster Wheels 4 Locking, 12-mth warranty	✓	✓	✓	✓	✓	✓	✓	✓	✓
Wheelchair Wheels 610mm (24") + Front Casters								✓	
Gross Box Weight Kg	29.7	32.4	38.2	27.4	15.8	16.5	17.5	20.8	9.5
Box Dimensions L x W x H (cm)	76 x 57 x 63	68 x 58 x 81	84 x 58 x 86	84 x 58 x 76	58 x 57 x 50	59 x 56 x 49	59 x 66 x 49	66 x 64 x 54	78 x 55 x 21

Product Features

									
Model Name	Showerbuddy	TubBuddy	TubBuddy Tilt	Roll-InBuddy Tilt	Roll-InBuddy Lite	Roll-InBuddy XL	Roll-InBuddy XXL	Roll-InBuddy Solo	Eco-traveller
Model Number	SB1	SB2	SB2T	SB3T	SB6C	SB6-22	SB6-26	SB6W	SB7e
Suited to This Bathroom Type	Shower with threshold	Shower over bathtub	Shower over bathtub	Roll In accessible shower	Roll In accessible shower	Roll In accessible shower	Roll In accessible shower	Roll In accessible shower	Roll In accessible shower
Commode Bucket / Lid - Standard Round		✓	✓						✓
Commode Bucket / Lid - Custom Design / Handle	✓			✓	✓	✓	✓	✓	
Commode Bucket - Fit / Remove From Rear	✓	✓	✓	✓	✓	✓	✓	✓	✓
Commode Bucket - Fit / Remove by Flip Up Cushion									✓
Tool-free Assembly	✓	✓	✓	✓	✓	✓	✓	✓	✓
Warranty - 2 Year Limited (Refer Terms and Conditions)	✓	✓	✓	✓	✓	✓	✓	✓	✓

BathCheck™

BY SHOWERBUDDY



SCAN ME

BathCheck is a web based app specifically designed for OT's and Mobility Specialists. Showerbuddy, the app developer, is an international award winning company manufacturing shower commode chairs that slide and transfer a user in a comfortable and safe seated position over a bath tub or over a shower step to shower. It is no longer necessary to undertake expensive, stressful and time-consuming remodels.

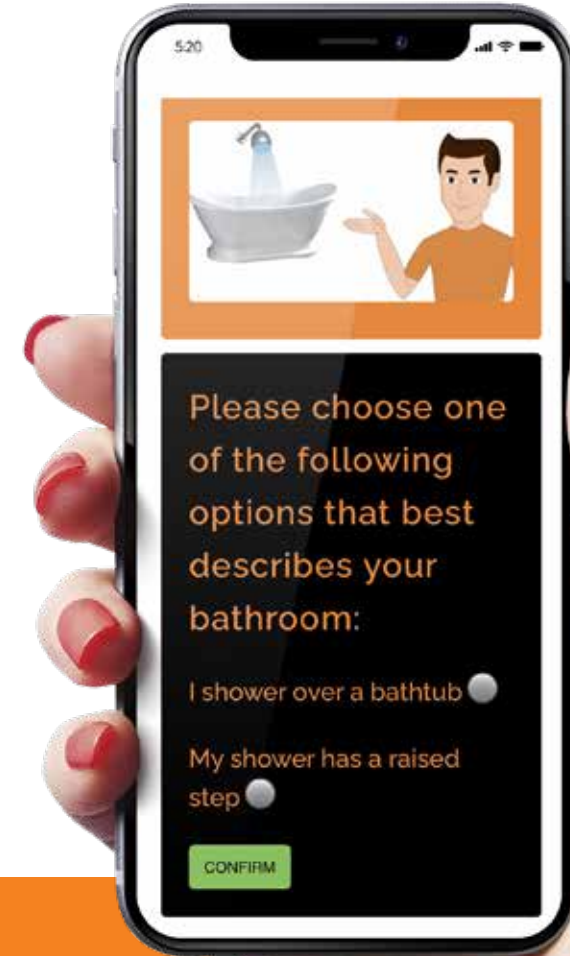
Showerbuddy can get your loved one or client into the shower in less than an hour to once again enjoy the comfort and privacy of their own shower. It has the benefit of portability should the client move home and can also to be put away after showering to allow the family to continue using the bathroom without equipment clutter.

However, bathrooms are varied in design with few being the same as another. This poses problems for those prescribing a solution to the access problem.

- Will the equipment I am suggesting fit?
- Will it work in the confines of this bathroom?

BathCheck is a unique new app developed by showerbuddy for Therapists and Mobility Specialists to calculate and solve these problems.

Please review several bathroom plans by scrolling through the drawings to find similar situations to your bathroom, then as you go complete the dimensions A - Z or as appropriate to your bathroom to find out a result - will the equipment fit? If so, this is what to do to configure that equipment for this particular room.



BathCheck is a web based app specifically designed for OT's and Mobility Specialists.



shower*buddy*®

www.shower-buddy.com